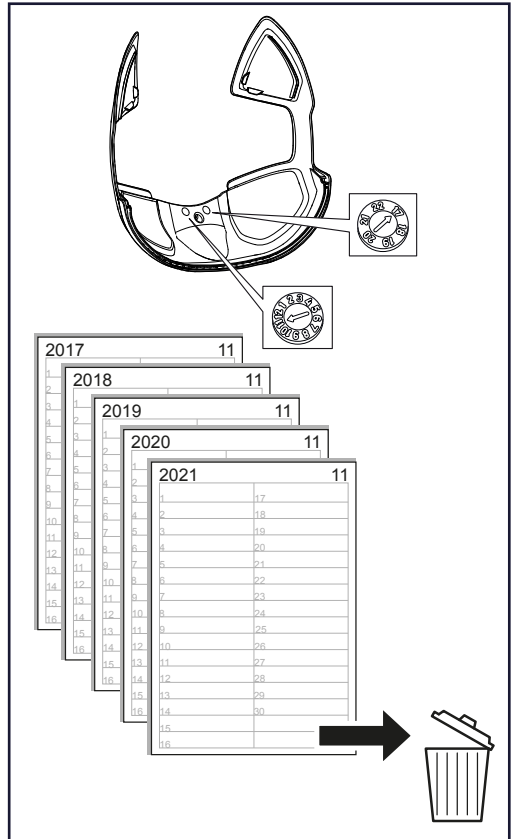
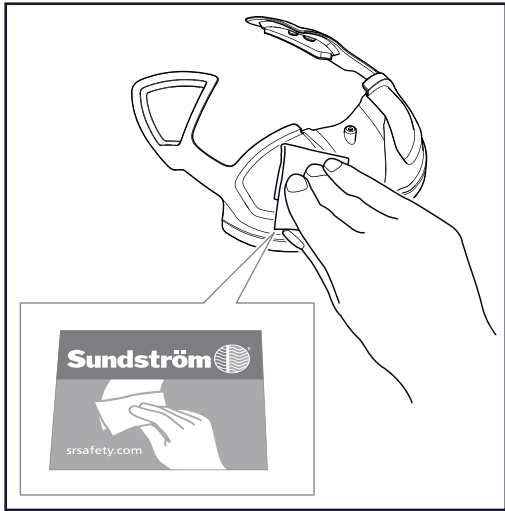
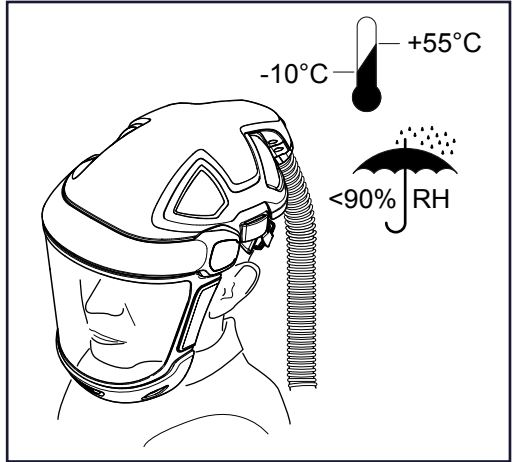
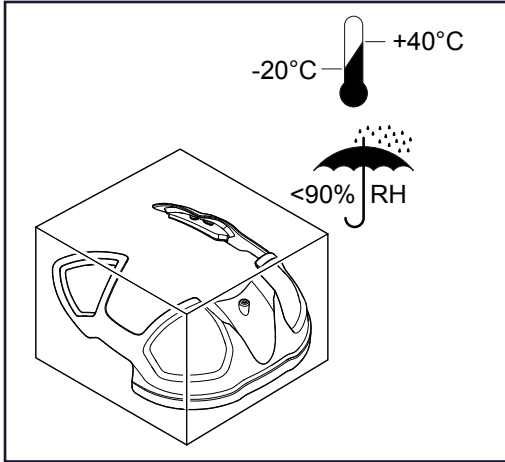
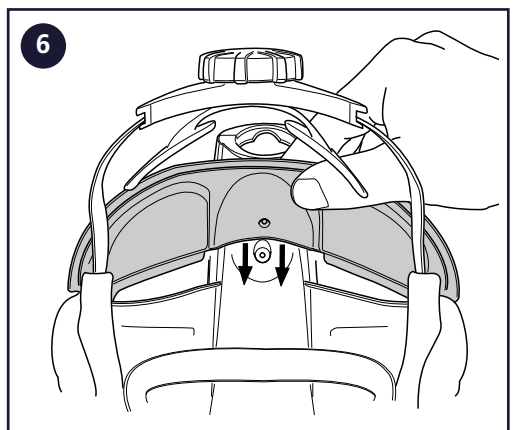
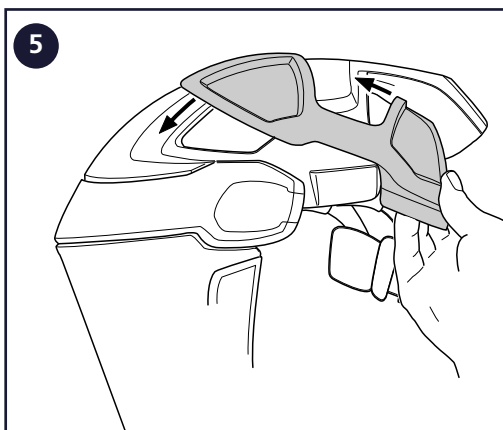
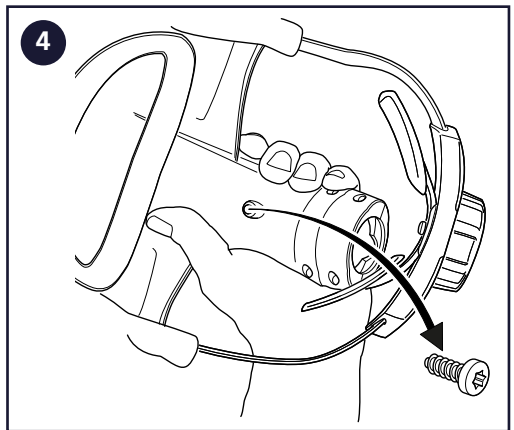
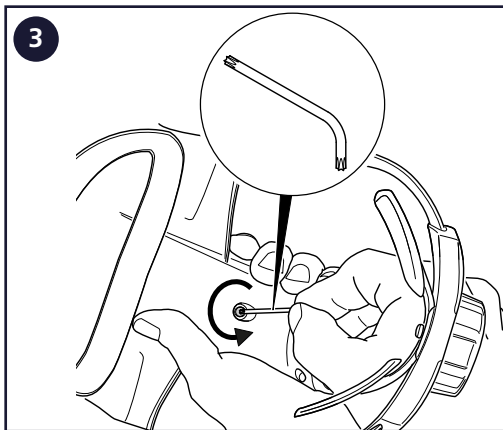
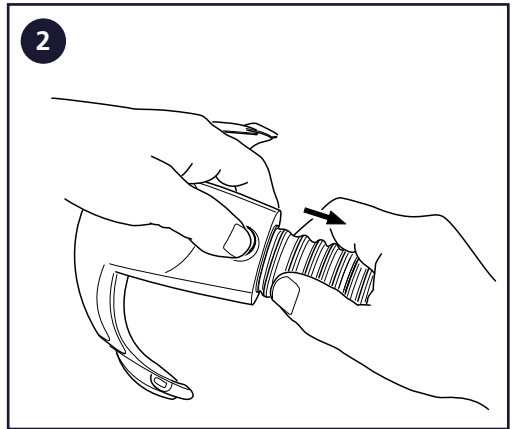
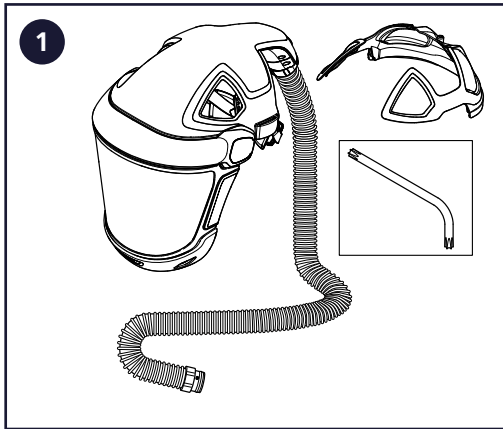
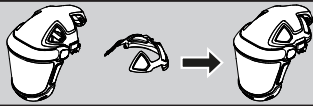
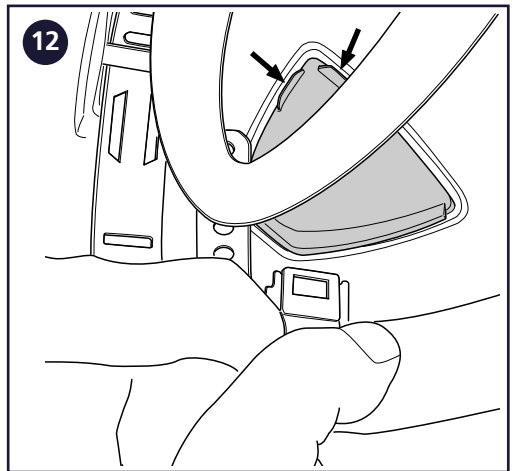
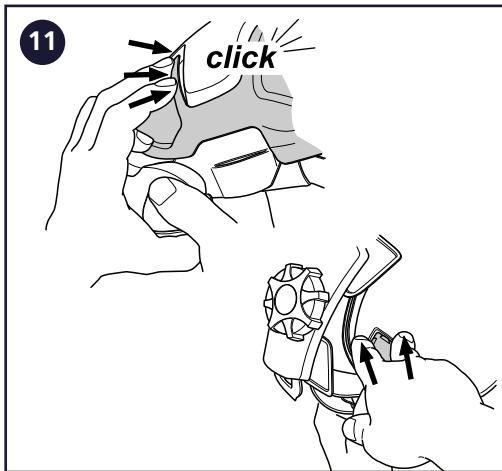
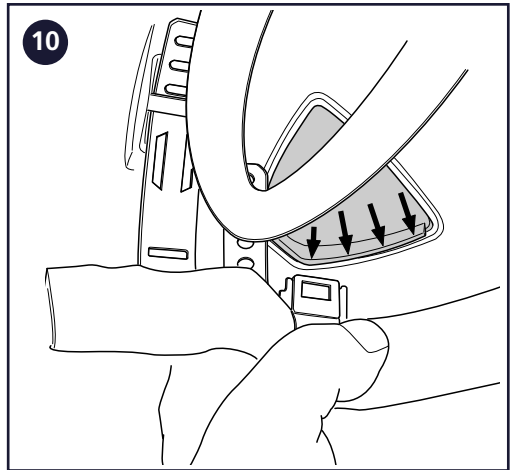
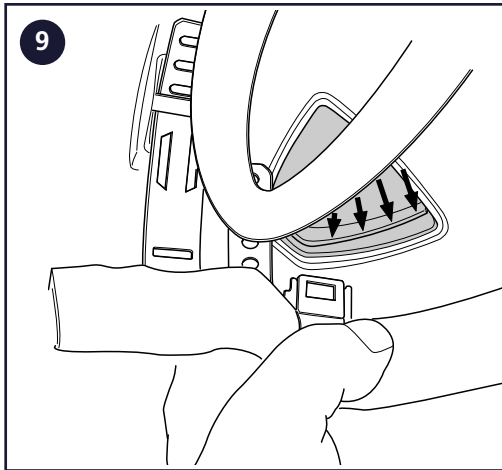
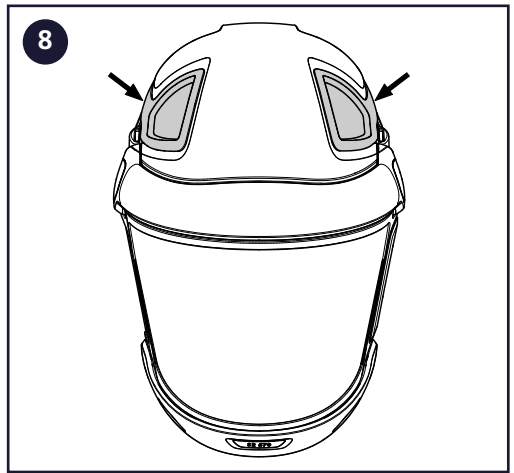
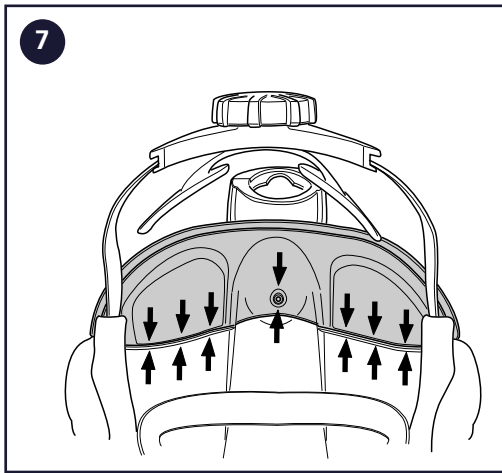




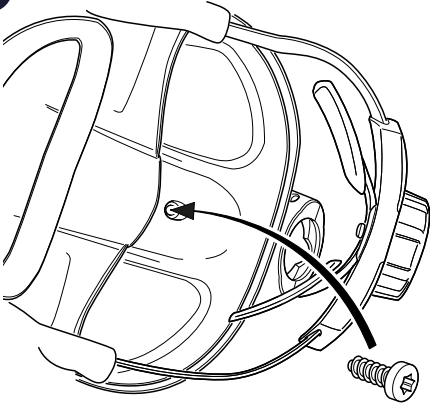
T06-0602, Bump cap



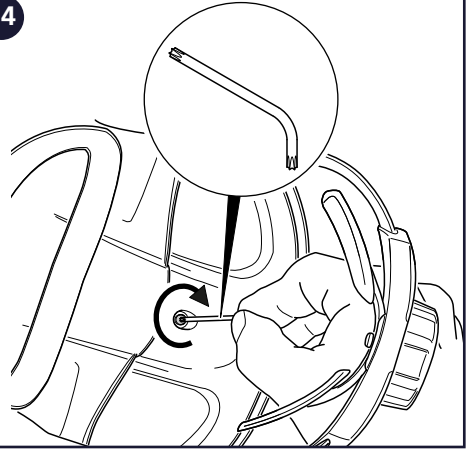




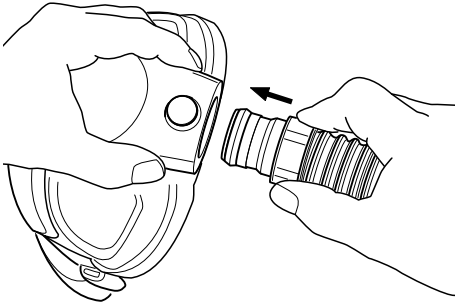
13



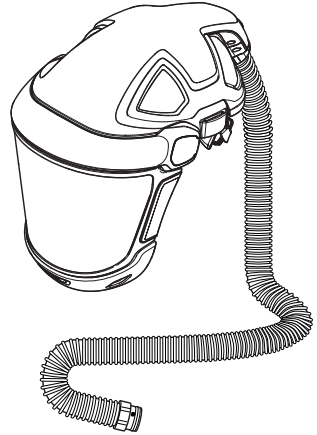
14

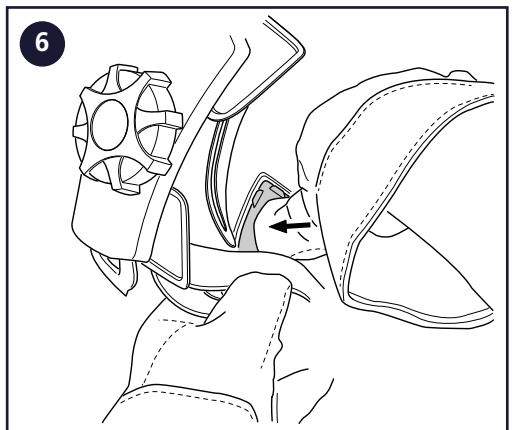
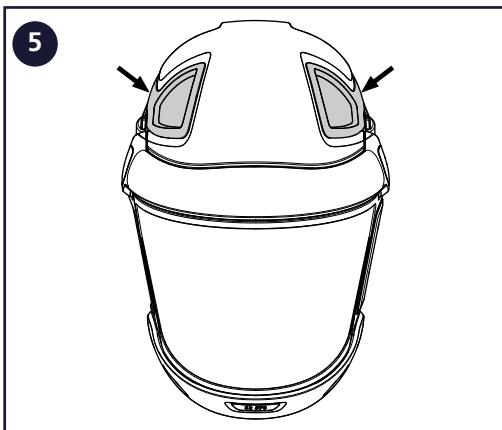
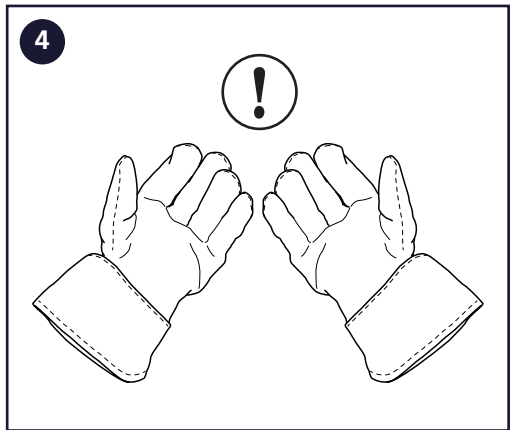
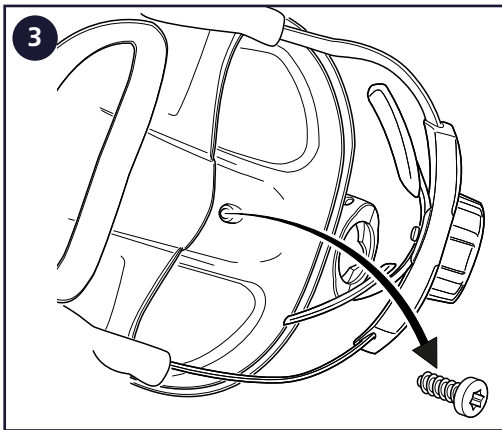
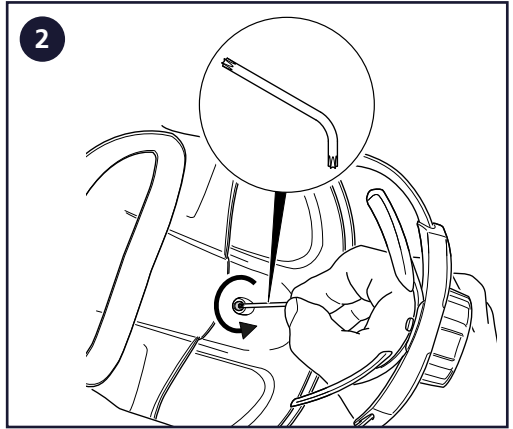
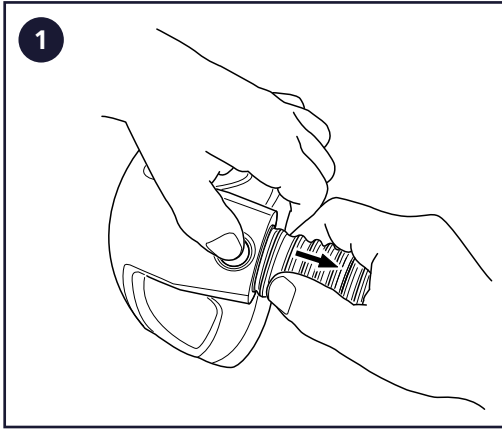
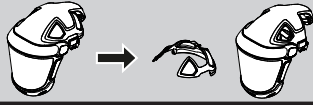


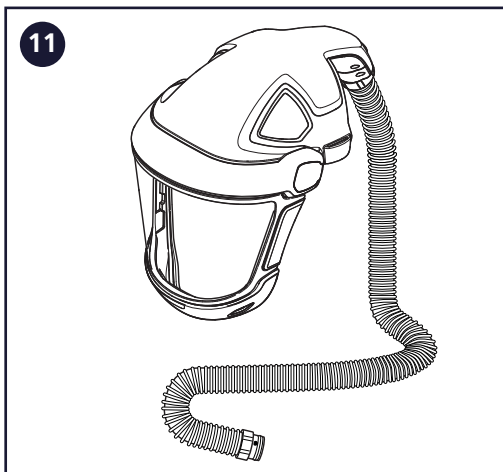
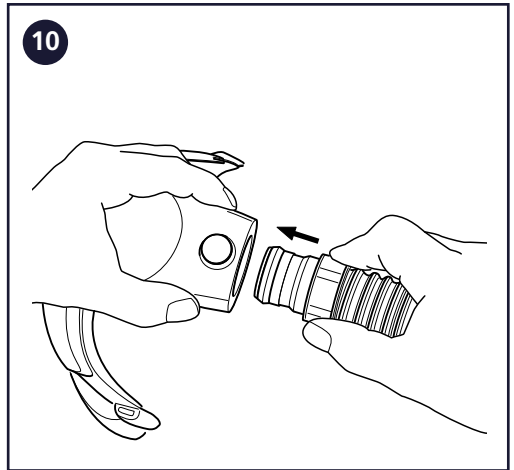
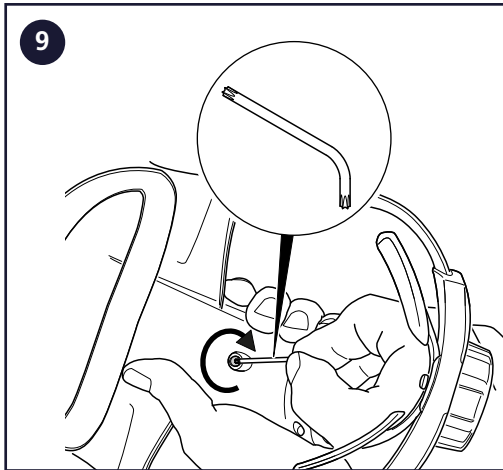
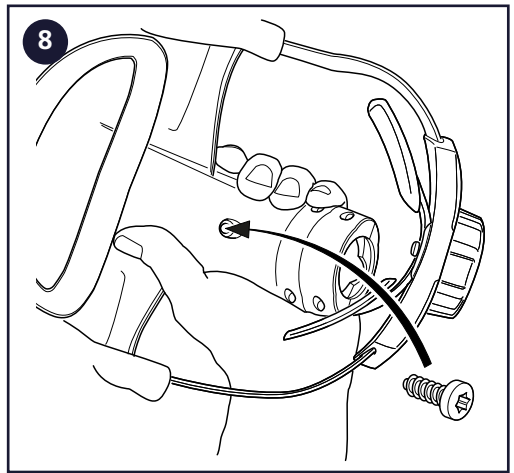
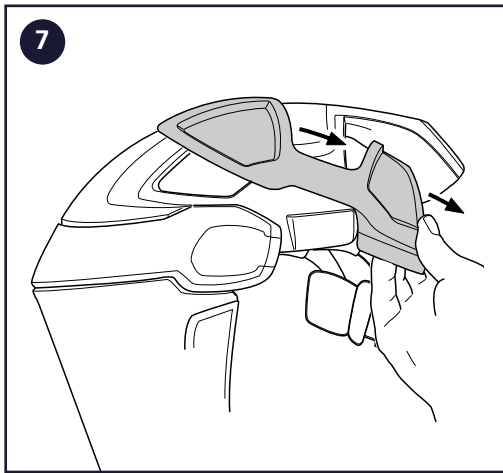
15



16







**The Bump cap T06-0602 is manufactured within a
quality management system accepted by
Notified Body 0194: INSPEC International Ltd.
Certification Services, 56 Leslie Hough Way,
Salford, M6 6 AJ, England**



Sundström Safety AB
SE-341 50 Lagan • Sweden
Tel: +46 10 484 87 00
info@srsafety.se • www.srsafety.com